

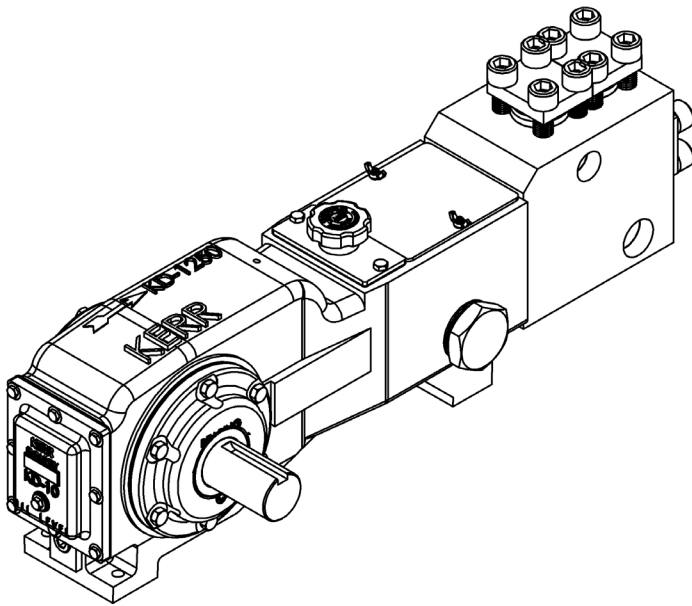
KERR

PUMPS

KD-1250BCB

10.7 BHP Simplex Plunger Pump

Intermittent Duty



KD-1250BCB

SPECIFICATIONS

Configuration	Horizontal Simplex Plunger
Number of Plungers	1
Stroke Length	2.5" / 63.5 mm
Frame Load Rating	3,250 lbs
Fluid Cylinder Pressure Rating	15,000 PSI
Pump Weight (Avg.)	200 lbs / 91 kilos
Kerr Max Speed	375 RPM
Minimum Speed	100 RPM
Mechanical Efficiency (Bare Shaft)	72%
Lube System (Standard)	Splash
Lube System (Optional)	Force Feed
Lube Oil Capacity	2 quarts / 1.9 liters
Lube Oil Type	Petroleum per AGMA 5EP (ISO 220) or Synthetic per SAE 75W-90 (ISO 100)
Connection Sizes	1 1/4" NPT Suction 1" NPT Discharge

FLUID END

Forged Carbon Steel (A105)
Forged Stainless Steel (316)
Other materials available on request

PLUNGERS

Colmonoy 730 Hard Coat
Solid Ceramic (2,160 Max. PSI)
Kerramic (Ceramic) Coated
Solid 316 Stainless Steel

VALVES

BALL VALVE / SEAT MATERIAL	
Stanalloy / Stanalloy (440 SS)	
Sheralloy / Seralloy (Cobalt Base)	

* Consult Factory for Authorized Drawings for Dimensions

1) Displacement is based on 100% Volumetric Efficiency (VE)

2) Consult factory for operating speeds above maximum shown

3) 1 US gallon = 3.78541 liters

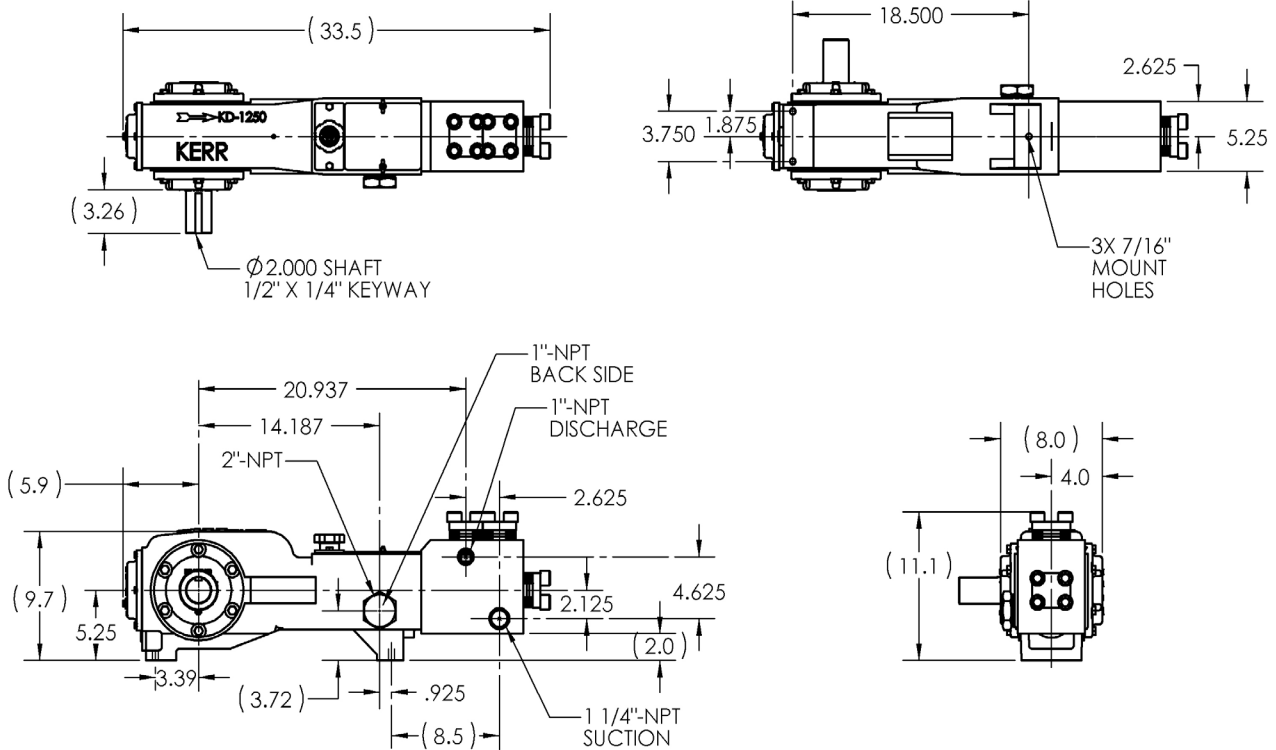
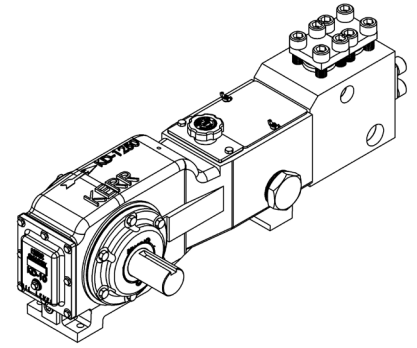
KERR

PUMPS

KD-1250BCB

10.7 BHP Simplex Plunger Pump

Intermittent Duty



PLGR DIA. INCHES	MAX PRESS PSI	DISP GAL PER REV	DISPLACEMENT																	
			100 RPM		130 RPM		165 RPM		200 RPM		235 RPM		270 RPM		305 RPM		340 RPM		375 RPM	
			GPM	BPD	GPM	BPD	GPM	BPD	GPM	BPD	GPM	BPD	GPM	BPD	GPM	BPD	GPM	BPD	GPM	BPD
0.625	10593	0.0033	0.3	11	0.4	15	0.5	19	0.7	23	0.8	27	0.9	31	1.0	35	1.1	39	1.2	43
0.750	7357	0.0048	0.5	16	0.6	21	0.8	27	1.0	33	1.1	39	1.3	44	1.5	50	1.6	56	1.8	61
0.875	5405	0.0065	0.7	22	0.8	29	1.1	37	1.3	45	1.5	52	1.8	60	2.0	68	2.2	76	2.4	84
1.000	4138	0.0085	0.8	29	1.1	38	1.4	48	1.7	58	2.0	69	2.3	79	2.6	89	2.9	99	3.2	109
1.250	2648	0.0133	1.3	46	1.7	59	2.2	75	2.7	91	3.1	107	3.6	123	4.1	139	4.5	155	5.0	171

* Consult Factory for Authorized Drawings for Dimensions

1) Displacement is based on 100% Volumetric Efficiency (VE)

2) Consult factory for operating speeds above maximum shown

3) 1 US gallon = 3.78541 liters